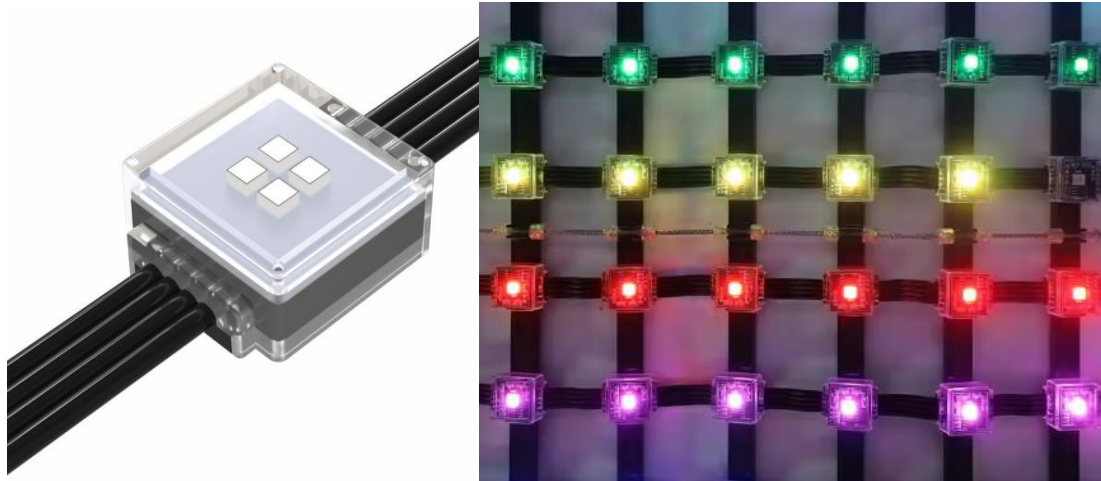




DMX512/SPI RGB 4LEDS DC24V LED Mesh Screen

(P31.25/P40/P50/P55/P62.5/P80/P100)



Product Parameters:

Parameters							
Product Model	H2020L-P31.25-4L	H2020L-P40-4L	H2020L-P50-4L	H2020L-P55-4L	H2020L-P62.5-4L	H2020L-P80-4L	H2020L-P100-4L
Voltage	DC24V	DC24V	DC24V	DC24V	DC24V	DC24V	DC24V
Power	0.8W	0.8W	0.8W	0.8W	0.8W	0.8W	0.8W
Color	RGB	RGB	RGB	RGB	RGB	RGB	RGB
Cover Material	PC	PC	PC	PC	PC	PC	PC
Optional Cover	Gray/black/transparent + flat transparent cover						
Optional Wire	2x0.75mm ² +2x0.35mm ²						
Optional Protocol	resume transmission after a break	SPI	resume transmission after a break	resume transmission after a break	SPI (breakpoint transfer)	SPI (breakpoint transfer)	SPI (breakpoint transfer)
Luminance	6-7cd	6-7cd	6-7cd	6-7cd	6-7cd	6-7cd	6-7cd
Weight Single	7.5g	7.5g	7.5g	7.5g	7.5g	7.5g	7.5g
Degree of Protection	IP67	IP67	IP67	IP67	IP67	IP67	IP67
Ambient Temperature	-40 °c-55 °c	-40 °c-55 °c	-40 °c-55 °c	-40 °c-55 °c	-40 °c-55 °c	-40 °c-55 °c	-40 °c-55 °c
Single side power supply maximum load	400pixels	400	400	400	400	400	400

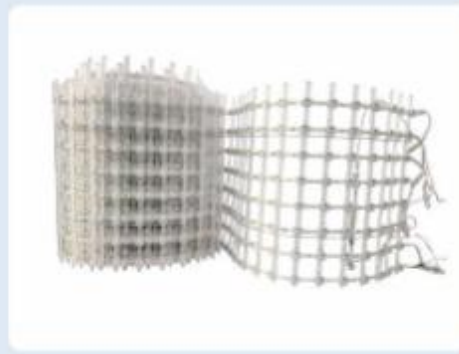
Product Feature:

1. We use larger wire diameter point light sources to support longer distance power supply and signal transmission;
2. Flexible installation: small size, light weight, with flexible steel wire rope, can achieve flexible and diverse installation methods;
3. With the function of bad point continuation transmission, even if one of the pixels is damaged, it will not affect the signal reception of the subsequent pixels, thus minimizing the product's failure rate;
4. A variety of spacing options, flexible control of project costs.

More Details:



Penetration rate 75%-85%



Foldable screen body



Flexible Screen



High permeability



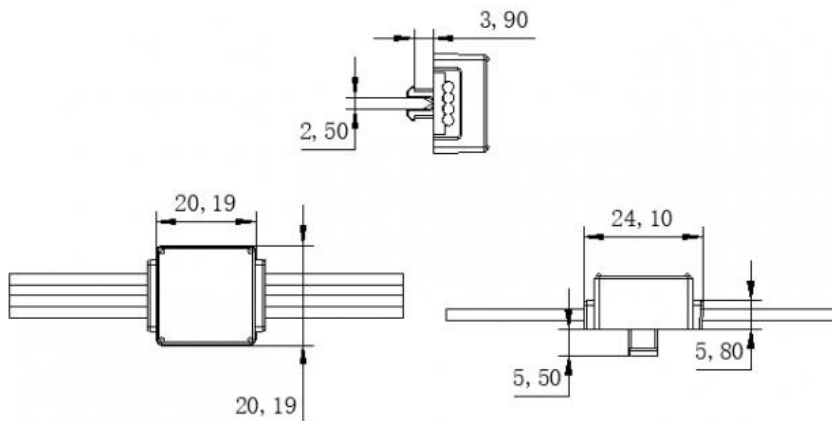
Infinite splicing of oversized facades

Support computer remote

Optional Specifications:

Optional Specifications							
Screen specification	Point center distance	pixel/m ²	luminance (cd/m ²)	Maximun power (W/m ²)	Module width	weight (kg/m ²)	permeability
H2020L-P31.25-24V-0.8W	31.25mm	1024	6144	819	0.5m	9.6	56%
H2020L-P40-24V-0.8W	40mm	625	3750	500	0.32m	6.6	62%
H2020L-P50-24V-0.8W	50mm	400	2400	320	0.5m	4.1	65%
H2020L-P55-24V-0.8W	55mm	324	1944	259	0.44m	3.7	71%
H2020L-P62.5-24V-0.8W	62.5mm	256	1536	205	0.5m	2.95	75%
H2020L-P80-24V-0.8W	80mm	156	936	125	0.32m	2.32	81%
H2020L-P100-24V-0.8W	100mm	100	600	80	0.5m	1.5	86%

Product Size:



Installation Mode:

