



C&I ESS SERIES

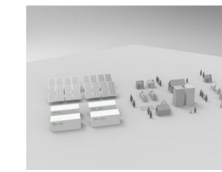
The community may benefit from peaceful, dependable renewable energy provided by the C & I energy storage system (ESS). Additionally, it can be utilized as a backup power source in case of severe weather or grid disruption to safeguard electricity. Its service life is long and its footprint is modest. Without the need for maintenance, operation may be intelligently and automatically monitored around-the-clock, seven days a week.

Features

- Safe & Reliable - Support multiple battery input to improve battery; - High switching frequency design, low current ripple
- Air-cooled program with air conditioning
- Friendly & Flexible - System can be expanded by parallel.
- Intelligent & Efficient - Built-in EMS function to improve energy efficiency management - Latest IGBT module, high efficiency conversion.
- All-in-one and turnkey battery storage systems including bidirectional converter SPCS.
- Design Life - 20 years.

All-in-one Solution for

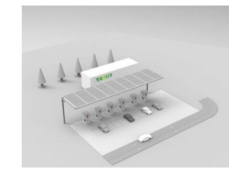
- Off Grid
- Backup power
- Microgrid
- Island power
- Peak shaving
- Self-consumption optimization
- Power Quality
- Charging Station Control



Industrial



Commercial



Charging Parking

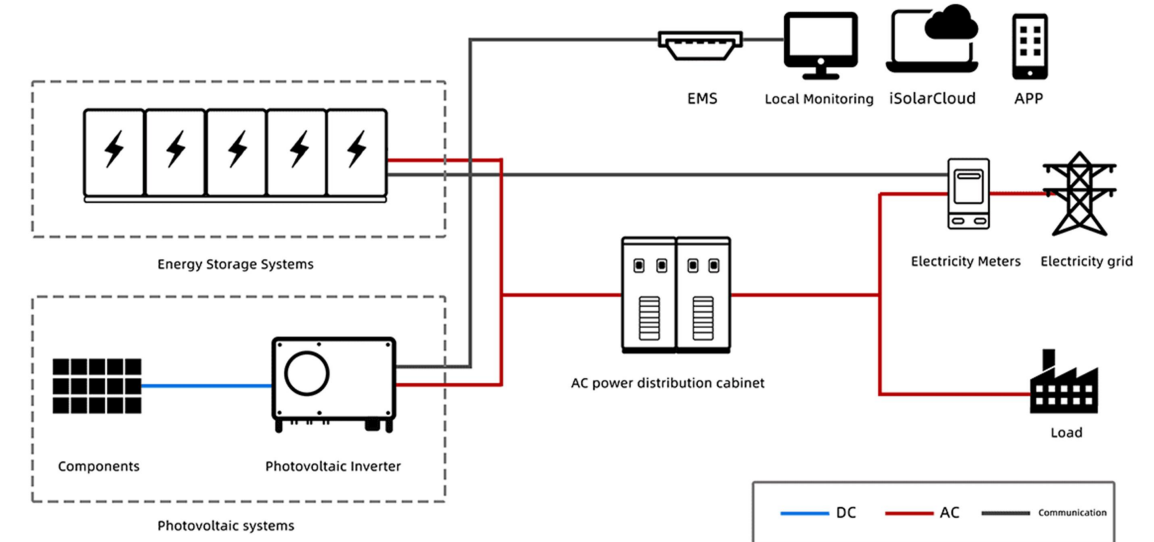


Community

Technical Parameter

Model	200kwh	500kwh	1Mwh	5Mwh	10Mwh
Capacity	51.2V280Ah	51.2V280Ah	51.2V280Ah	51.2V280Ah	76.8V280Ah
Batt. Series (pcs)	14	14*3 cluster	14*6 cluster	15*24 cluster	16*15 cluster
Voltage	716.8V	614.4V	614.4V	768V	1228.8V
Energy	200.704Kwh	516.096kwh	1032.192kwh	5160.96kwh	10321.92kwh
Container Dimension(L*W*H) (mm)	3030*2438*2590	3030*2438*2590	3030*2438*2590	1*20ft HQ+1*40ft HQ	2*20ft HQ+2*40ft HQ
High Voltage Case	DC 1000V 200A Switch, DC fuse, splitter, power etc				DC 1500V 300A Switch
BMU	16s*3.2v lithium battery				24s*3.2v lithium battery
Power Control System (PCS)	100kw	100kw	500kw	630kw	1250kw
Industrial Air Conditioning	220vac 1500w		220vac 5000w		

Product specifications are subject to change without notice.



Commercial and industrial Energy Storage System structure diagram

When it comes to reliability, our lithium batteries won't let you down. Get in touch with your local distributor. Visit www.lithiumbatts.com or talk to one of our Certified ROYCE ENERGY.

Email us: sales@royce-energy.com